

# G-series



For  
Presonus®  
StudioLive



Your dream studio  
just got closer.

800.315.0878 or 573.557.3150  
[www.ArgosyConsole.com](http://www.ArgosyConsole.com)

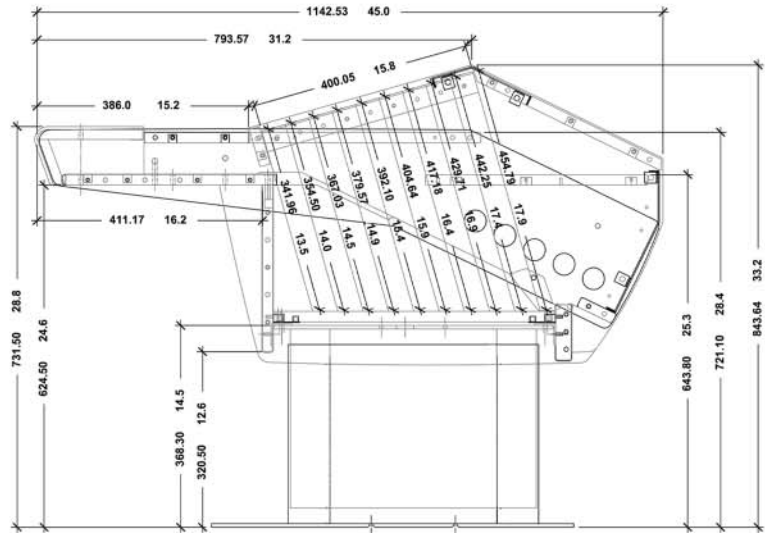
©2013 Argosy Console, Inc.



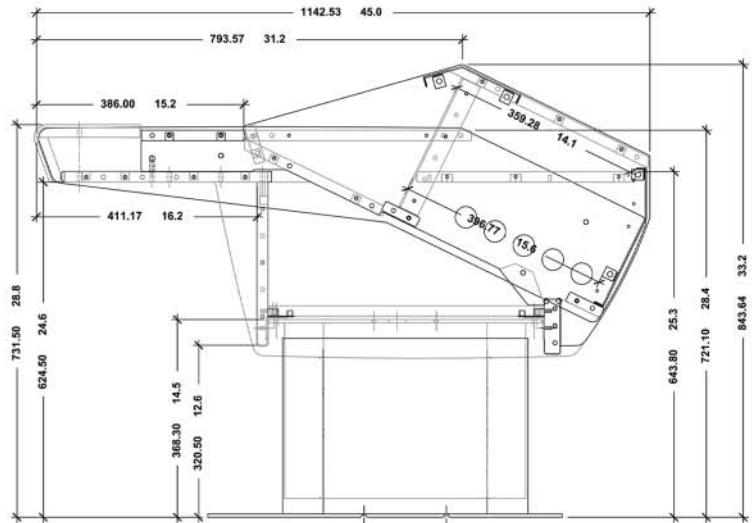
 ARGOSY

# G-series

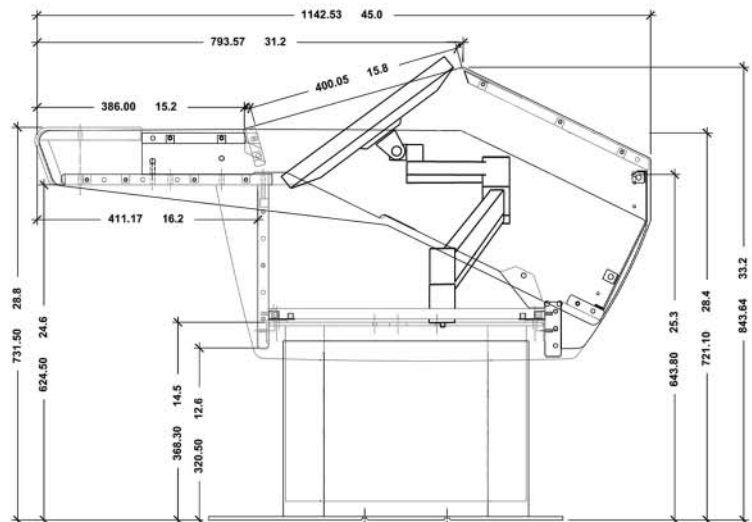
Specifications  
in Millimeters - Inches



G-series with R9 rack module



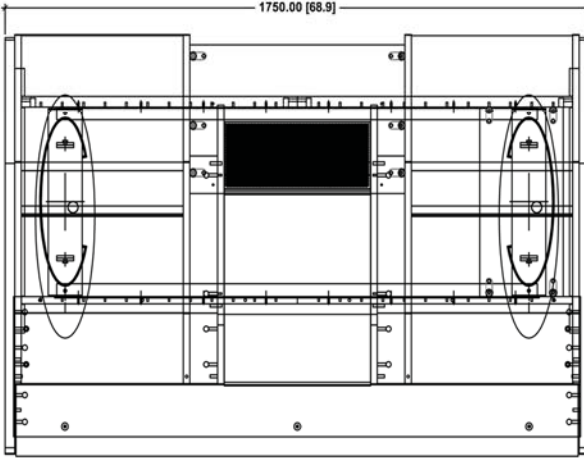
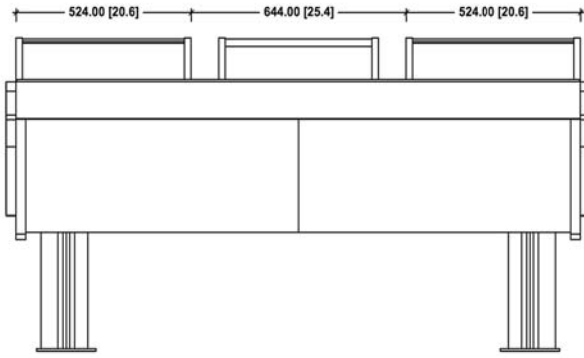
G-series with R6 rack module



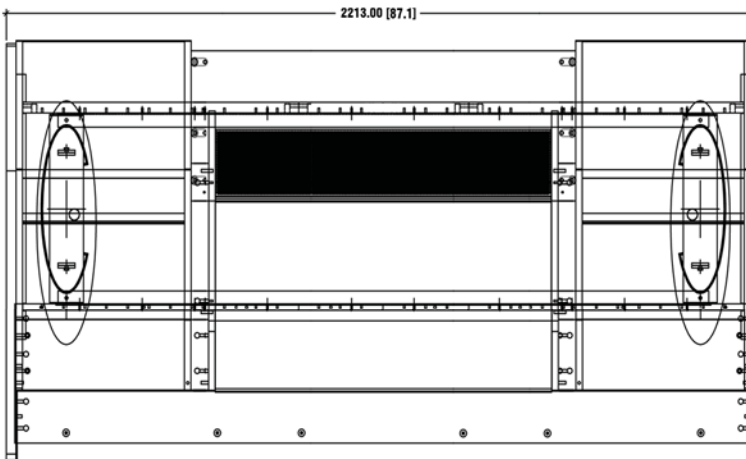
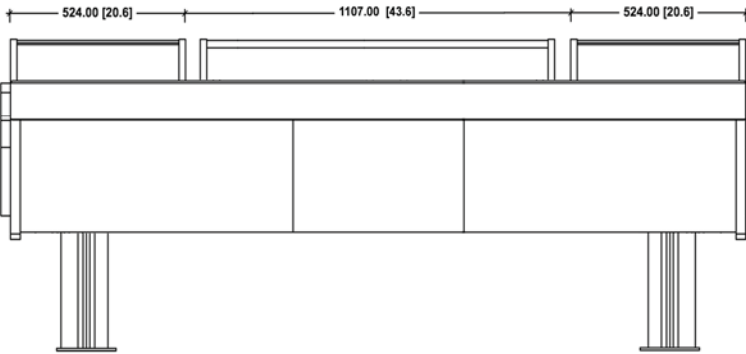
G-series monitor rack with monitor arm accessory

Your dream studio  
just got closer.

800.315.0878 or 573.557.3150  
[www.ArgosyConsole.com](http://www.ArgosyConsole.com)



G20



G30



**Distinctive** styling and build quality are industry shaping and head turning. Calculated lines of the G-Series enable unobstructed line-of-sight and line-of-sound while putting every essential control at your fingertips. Elevated chassis provides transparency to low frequencies, while the pitched surface and perforated grills intentionally foil early sound reflection and defeat build-up of standing waves.

Steel chassis rail and leg system support 19-32mm powder coated mdf components for unparalleled support of your studios most vital equipment.

G-series is available in a variety of set-ups for 16, 24, 32, and 48 channel configurations. With rack and trim options, you can spec out your own customized G-series desk.



G20-2PSL16



G20-PSL16



G20-PSL24  
w Black Legs



G30-2PSL24



G30-PSL32



G20-2PSL16

- Precision Fit and Finish
- Steel Chassis Rails & Legs
- Powder Coated Components
- Padded Armrest
- Trim Options

**ACCESSORIES**



Mahogany  
Hardwood  
Endpanels



Monitor  
Arms



Rack 'n Roll  
Accessory  
Racks



Speaker  
Stands

**NEED A CUSTOMIZED SOLUTION?**

Give us a call to discuss what you have in mind, we're happy to help.



Demonstration video

For more information about our products and services, please visit us at [www.argosyconsole.com](http://www.argosyconsole.com) or call the numbers below.

Ph: 573.557.3150

toll free: 800.315.0878

